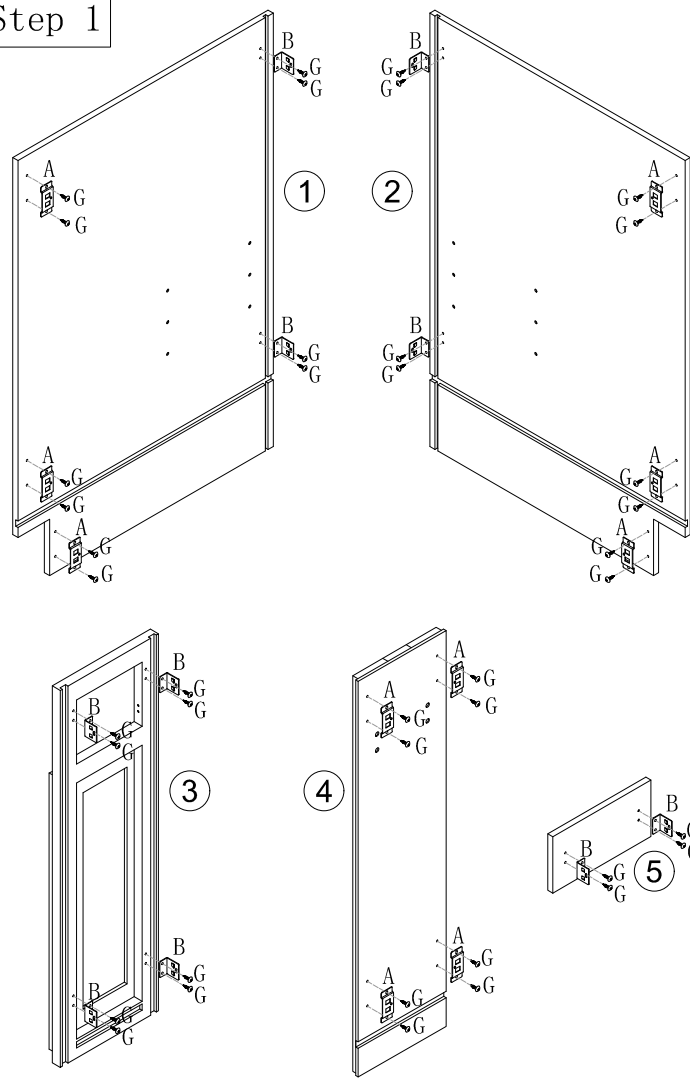




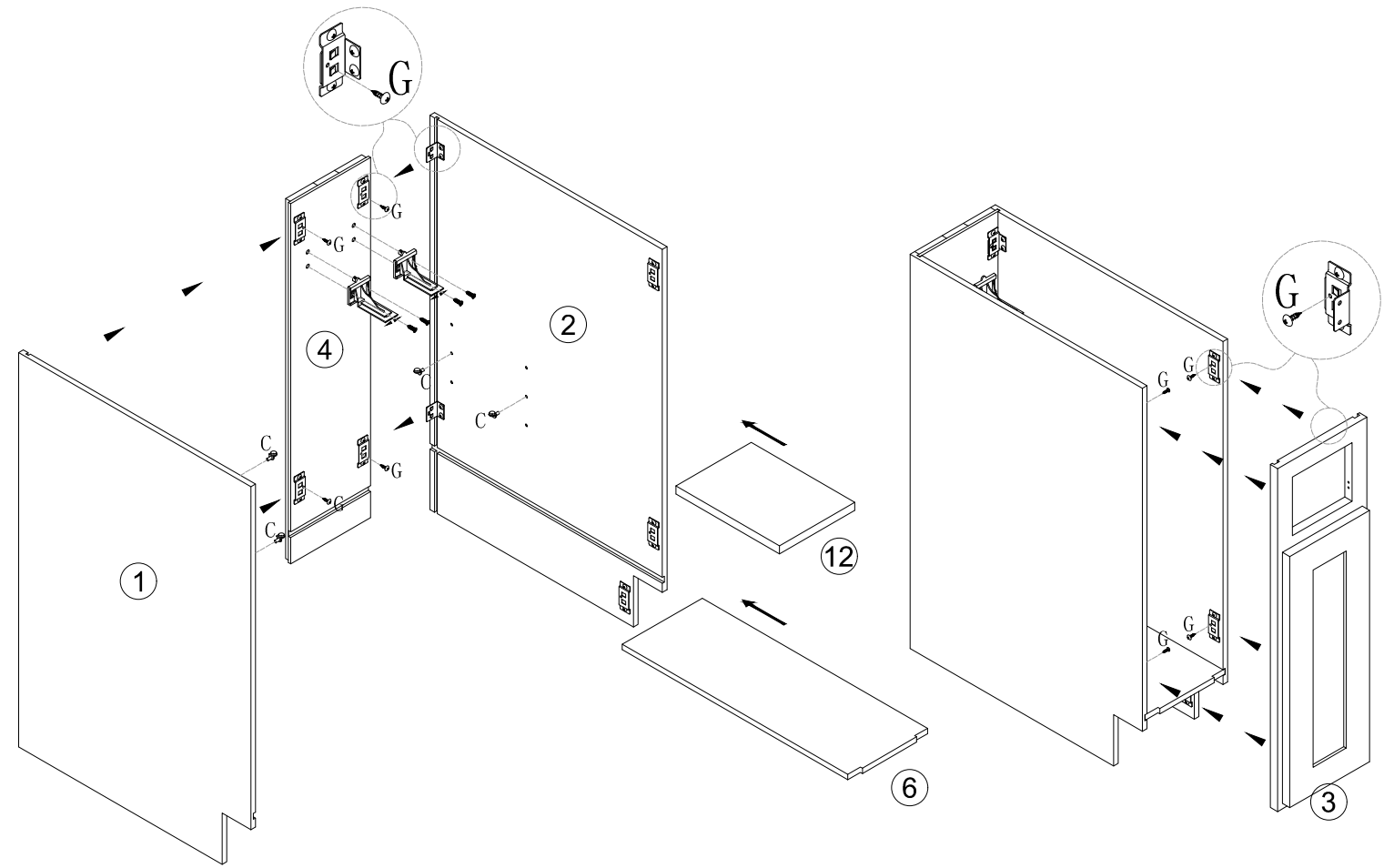
# ASSEMBLY INSTRUCTIONS

B09

## Step 1



## Step 2

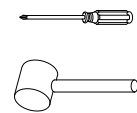


### Parts list

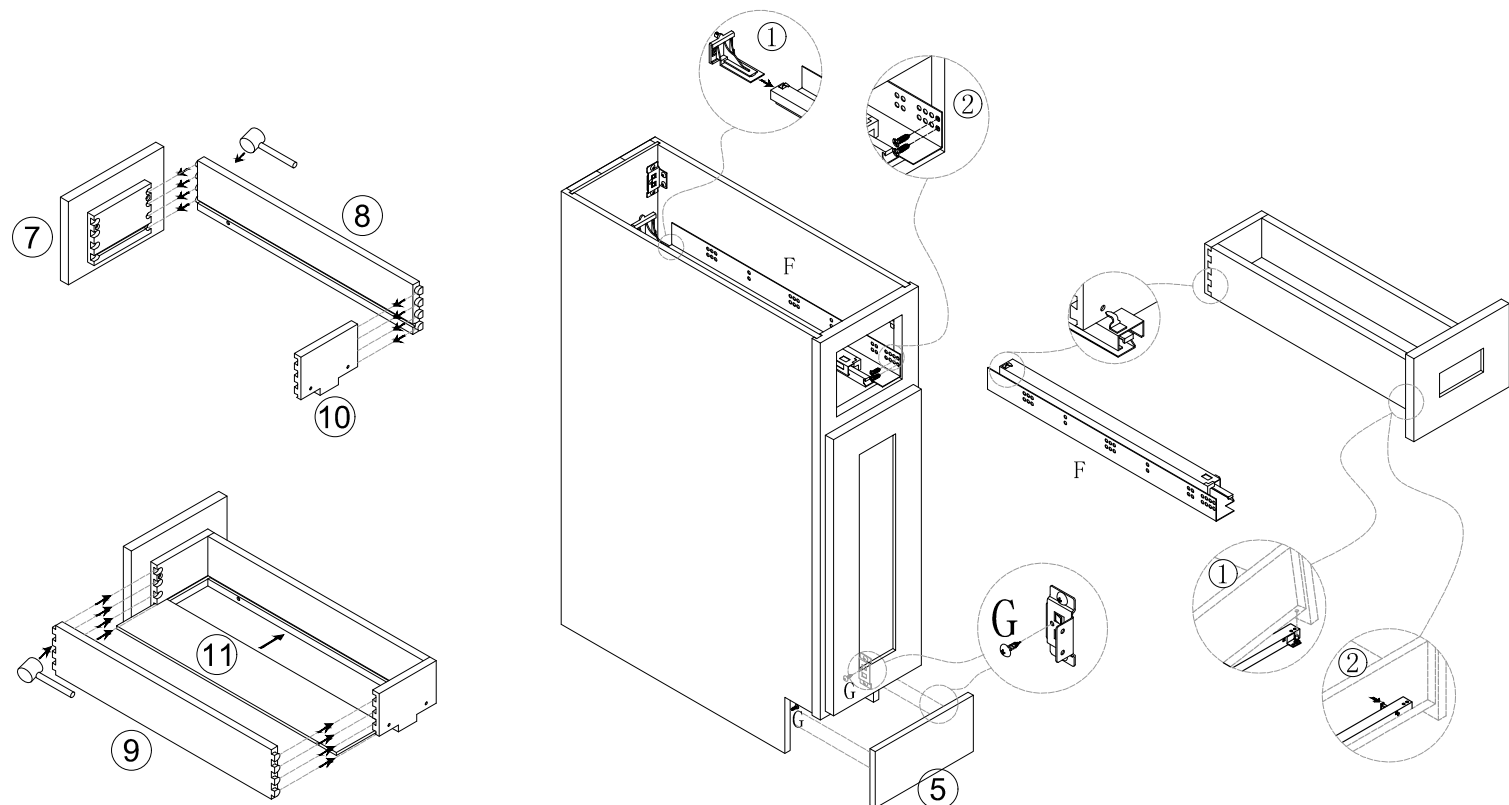
NO.	Parts	QTY
A		10
B		10
C		4
D		16
E		4

NO.	Parts	QTY
F		1
G		50

Tools  
(required but not provided)



## Step 3



## Finished

